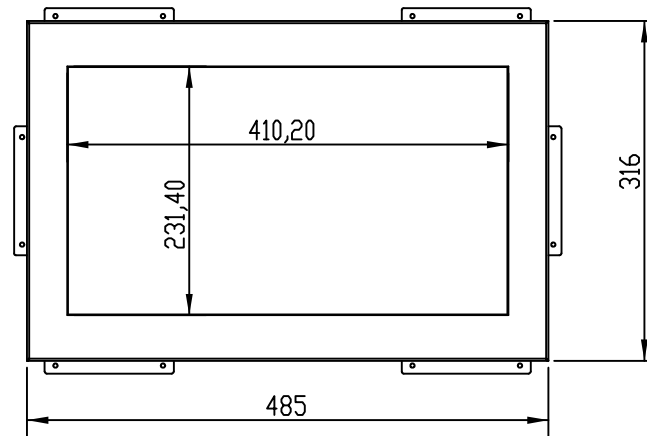
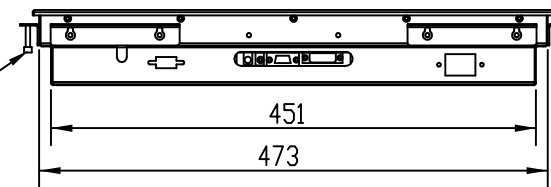
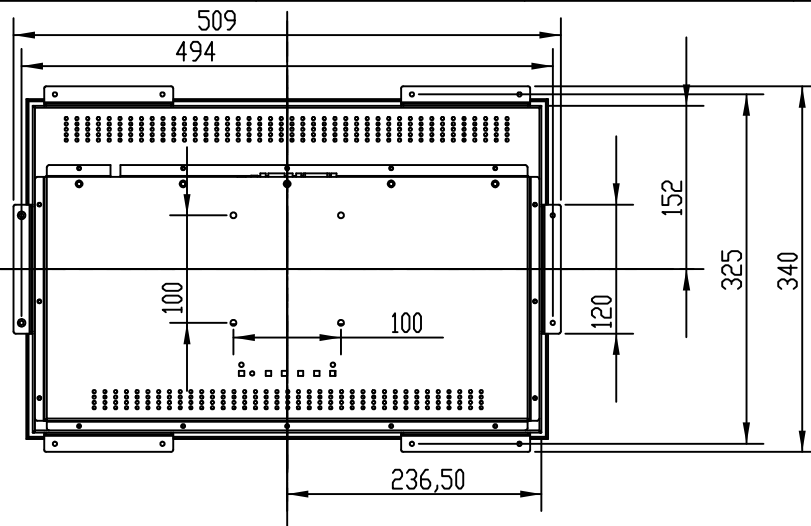


Vis de Serrages  
M4 x 20



NOTA :

- Découpe pour encastrement Produit (475x306mm)
- 6 Equerres de Serrages en standard
- Option : 10 Equerres de Serrages au maximum

|  |  |             |  |           |  |                                   |  |   |  |
|--|--|-------------|--|-----------|--|-----------------------------------|--|---|--|
| UNLESS OTHERWISE SPECIFIED:<br>DIMENSIONS ARE IN MILLIMETERS |  |             |  | FINISH:   |  | DEBUR AND<br>BREAK SHARP<br>EDGES |  | Ce document est la propriété de la Ste EUROTOUCH<br>toute reproduction ou communication est interdite sans autorisation |  |
| SURFACE FINISH:  |  |             |  |           |  |                                   |  |   |  |
| TOLERANCES:  |  |             |  |           |  |                                   |  |   |  |
| LINEAR:  |  |             |  |           |  |                                   |  |   |  |
| ANGULAR:   |  |             |  |           |  |                                   |  |   |  |
| DRAWN  |  | NAME        |  | SIGNATURE |  | DATE                              |  | TITLE:  |  |
| CHK'D  |  |             |  |           |  | 12/10/17                          |  | ECRAN ISPPC185 PM   |  |
| APPV'D   |  |             |  |           |  |                                   |  |   |  |
| NEG  |  |             |  |           |  |                                   |  |   |  |
| QA   |  |             |  |           |  |                                   |  |   |  |
| Rep  |  | Qte         |  | N° Plan   |  | Designation                       |  | Matiere   |  |
| 1  |  |             |  | 2         |  | 3                                 |  | 4   |  |
| Ref. Fournisseur   |  | Fournisseur |  | Projet    |  | PPC185                            |  | DVG N°  |  |
|  |  |             |  |           |  |                                   |  | 1850000   |  |
|  |  |             |  |           |  |                                   |  | A3  |  |
|  |  |             |  |           |  |                                   |  | SCALE: 1/10   |  |
|  |  |             |  |           |  |                                   |  | SHEET 1 OF 1  |  |